

侦测防伪可打印超高频标签

Standard
标准

Detection Sensor Tamper Proof Printable UHF Tag



基本参数/Basic Parameters

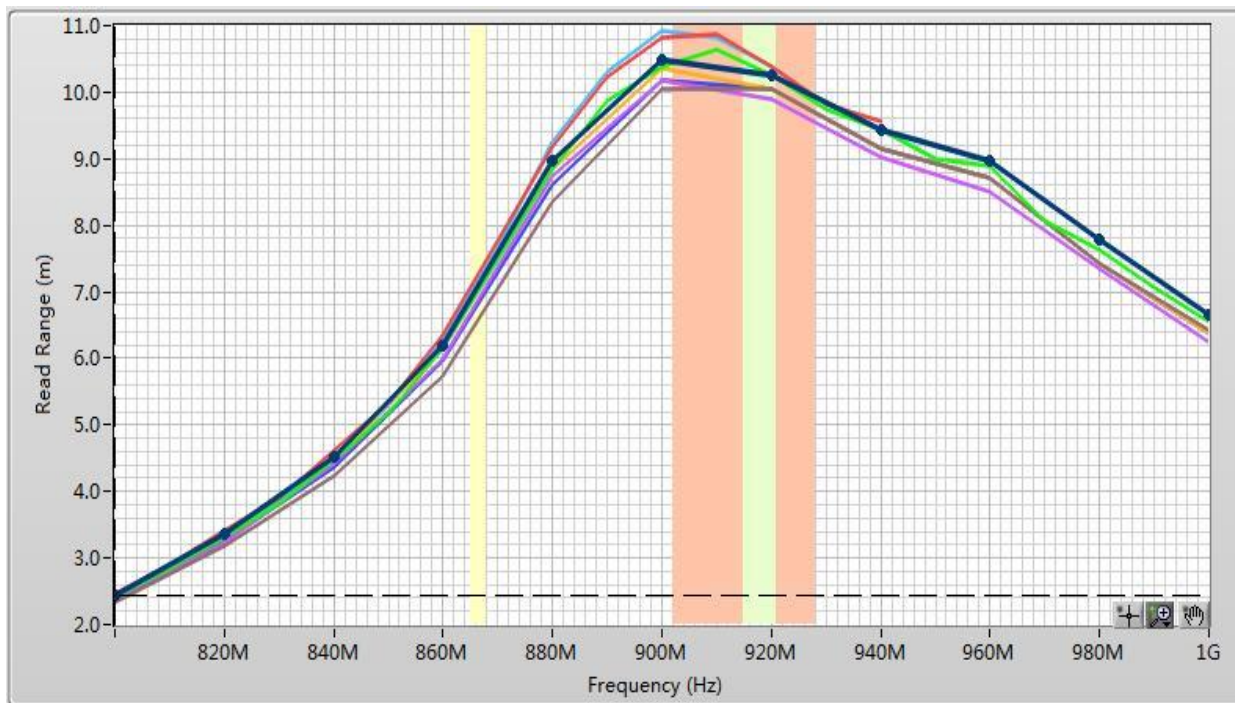
尺寸/Size (L/OD x W/ID x H)	115*60*0.2mm(ID/OD:圆形标签内径/外径,ID/OD:inner/outer diameter of round tags)
面材封装/FaceStock or Housing	可打印PP材料/White Printable PP
安装方法/Installation	胶粘/Adhesive
天线工艺/Antenna Type	铝天线/Aluminum Antenna
技术/Technology	平面微带/Microstrip Flat Style
离型纸/Backing Liner	双面离型透明PET/Dual Silicon & Transparent PET Liner

特征/Characters: 防伪(Tamper Proof)/侦测(Detection Sensor)

产品特性/Product Feature

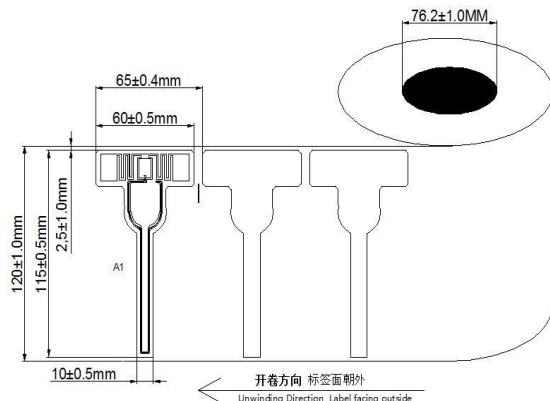
芯片/Chip Model	G2L+
协议/Protocol	ISO18000-6C GEN2
频率范围/Operating Frequency	860-960Mhz
内存/Memory	TID/UID 64bit+ EPC/Block 128bit+ User 0bit+ Reserve 32bits access Password and 32bits kill password
读距/Reading Range	500cm (depends on reader)
应介质/Applicable Surface	空气(Air-free)
个性化选项/Option	定制彩色印刷条码文本或个性化编码Custom color printing(Embossing or laser-engraving) with barcode or text & personalization encoding

附加说明/Additional



供货方式/Delivery & Supply Format

卷料供货每卷数量1000-3000片(特殊要求见附加说明) Supply in roll with 1000-3000PCS/Roll(Check Additional Note for your specific needs)



应用场景/Application

防伪标签主要是用在香烟、酒品（如红酒，啤酒，白酒等）、化妆品、药品、农药、农副产品、食品、动物溯源、零配件领域，以实现产品的标识、跟踪、及溯源查询或监管，包括物流供应链、数字化仓储、溯源监管，以及相关涉密文件档案、信件、支票发票、证件、考试试卷案宗，如学生证、监狱犯人档案、银行汇票、文件袋封签、箱封、产品QC/保修封条等等。Anti-counterfeiting tag mainly used for Tobacco/Cigarette, Liquors(white wine/black wine/beer/whisky), cosmetic, medicine, drug/medicine, Farm chemical like pesticide, food, animal traceability, spare part anti-fake tracking as a product identification for item/goods tracking, monitoring and supervision management. Including logistics supply chain, digital warehousing, source traceability, even more related security document and confidential files, letters, ticket, bank proof, certification, exam paper, special document seal like the prisoner's profile and so on document management, box seal, product QC sticker/warranty seal and so on.



环境参数/Environmental Parameter

数据保存/Data EEPROM Retention	10years
静电保护/ESD Limited Voltage	2KV
工作温度/Operating Temperature	-35℃ - 85℃
储存温度/Storage Temperature	0℃ - 25℃
操作湿度/Relative Humidity	10%-95%(Variant Performance)

兼容打印机/Compatible Printers

佐藤/SATO	CL4NX PLUS
斑马/Zebra	ZT411RFID
博思得/POSTEK	TX Series
东芝/TOSHIBA	SX-4T SX-5T

声明/STATEMENT

上述数据是基于本公司对产品特性的一般了解，仅供一般信息参考。客户购买本产品时应在实际应用条件下测试结果来自行决定是否适用。英诺尔向购买者保证其产品在材料和工艺上没有不良。The above data is based on our company general understanding of the product attribute, is just for general reference. Buyer should evaluate product under the condition of practical application to decide whether it is suitable for your application. XMinnov guarantee their products to the buyers that there is no defect on product material and fabrication.

批准Approved By:张琼勇 制作审核Prepared & Checked By:林阿霞
 日期Date:2022/03/23 日期Date:2022/03/23